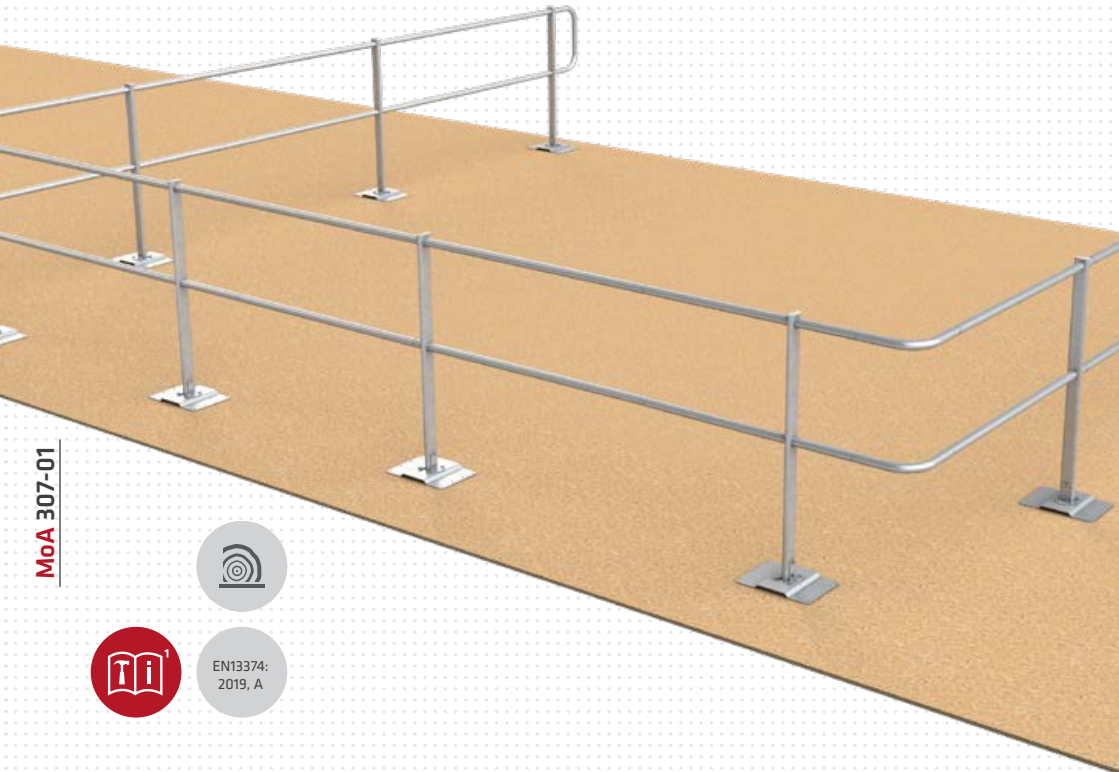


ABS Guard OnTop Holz

SG2-GUARD-H



MoA 307-01



EN13374:
2019, A

Werkzeuge | Tools



Sicherheitshinweise | Safety instructions



- DE** Montageanleitung beachten (1) und Sicherheitshinweise beachten (2).
- EN** Comply with the installation manual (1) and Comply with the safety instructions (2).
- FR** Respecter la notice de montage (1) and Respecter les consignes de sécurité (2).
- NL** Montagehandleiding in acht nemen (1) and Veiligheidsinstructies in acht nemen (2).
- BGR** Спазвайте инструкциите за монтаж (1) and Спазвайте инструкциите за безопасност (2).
- DK** Følg monteringsvejledningen (1) and Følg sikkerhedshenvisningerne (2).
- ET** Järgige paigaldusjuhendit (1) ja ohutusjuhiseid (2).
- FI** Noudata asennusohjeita (1) and Noudata turvallisuusohjeita (2).
- IT** Rispettare le istruzioni di montaggio (1) and Rispettare le istruzioni di sicurezza (2).
- PL** Przestrzegać zaleceń instrukcji montażu (1) and Przestrzegać zasad bezpieczeństwa (2).
- SK** Dodržujte návod na montáž (1) and Dodržujte bezpečnostné pokyny (2).
- SL** Sledite navodilom za namestitve (1) and Sledite varnostnim navodilom (2).
- ES** Observar las instrucciones de montaje (1) and Observar las indicaciones de seguridad (2).
- CS** Dodržujte návod k montáži (1) and Dodržujte bezpečnostní pokyny (2).
- HU** Vegye figyelembe az összeszerelési útmutatót (1) and Vegye figyelembe a biztonsági utasításokat (2).

Für eine ordnungsgemäße Montage ist eine Dokumentation des Einbaus zwingend erforderlich!
For a proper installation, a complete documentation of assembly is absolutely necessary.

Kontakte | Contact persons

Vertrieb & Technische Beratung
Sales & Technical Support
+49 (0) 28 32 - 972 81 - 0
vertrieb@absturzsi cherung.de

Schulung
Training
+49 (0) 28 32 - 972 81 - 148
schulung@absturzsi cherung.de

Montagevorbereitung
Assembly
+49 (0) 28 32 - 972 81 - 260
service@absturzsi cherung.de

Mustertypenschild | Sample label

[ABS]	ABS SAFETY GMBH ³ Kevelaer, Germany info@absturzsi cherung.de www.absturzsi cherung.de	¹ ²																																																			
Mustertypenschild / Sample only		⁴	Chargennummer / Batch number																																																		
<table style="width: 100%; border-collapse: collapse;"> <tr><td><input type="checkbox"/> ⁶ Normen / Standards</td><td style="width: 20px; text-align: center;">-</td></tr> <tr><td><input type="checkbox"/> ⁷ Max. Nutzer gleichzeitig (DIN EN 795:2012)</td><td style="text-align: center;">-</td></tr> <tr><td><input type="checkbox"/> Max. No. of simultaneous users</td><td style="text-align: center;">-</td></tr> <tr><td><input type="checkbox"/> ¹¹ Modellnummer / Model number</td><td style="text-align: center;">-</td></tr> <tr><td><input type="checkbox"/> -</td><td style="text-align: center;">-</td></tr> <tr><td><input type="checkbox"/> -</td><td style="text-align: center;">-</td></tr> <tr><td><input type="checkbox"/> -</td><td style="text-align: center;">-</td></tr> </table>	<input type="checkbox"/> ⁶ Normen / Standards	-	<input type="checkbox"/> ⁷ Max. Nutzer gleichzeitig (DIN EN 795:2012)	-	<input type="checkbox"/> Max. No. of simultaneous users	-	<input type="checkbox"/> ¹¹ Modellnummer / Model number	-	<input type="checkbox"/> -	-	<input type="checkbox"/> -	-	<input type="checkbox"/> -	-	<table style="width: 100%; border-collapse: collapse;"> <tr><td><input type="checkbox"/></td><td style="width: 20px; text-align: center;">-</td></tr> <tr><td><input type="checkbox"/></td><td style="text-align: center;">-</td></tr> <tr><td><input type="checkbox"/></td><td style="text-align: center;">-</td></tr> <tr><td><input type="checkbox"/></td><td style="text-align: center;">-</td></tr> <tr><td><input type="checkbox"/></td><td style="text-align: center;">-</td></tr> <tr><td><input type="checkbox"/></td><td style="text-align: center;">-</td></tr> </table>	<input type="checkbox"/>	-	<input type="checkbox"/>	-	<input type="checkbox"/>	-	<input type="checkbox"/>	-	<input type="checkbox"/>	-	<input type="checkbox"/>	-	<table style="width: 100%; border-collapse: collapse;"> <tr><td><input type="checkbox"/></td><td style="width: 20px; text-align: center;">-</td></tr> <tr><td><input type="checkbox"/></td><td style="text-align: center;">-</td></tr> <tr><td><input type="checkbox"/></td><td style="text-align: center;">-</td></tr> <tr><td><input type="checkbox"/></td><td style="text-align: center;">-</td></tr> <tr><td><input type="checkbox"/></td><td style="text-align: center;">-</td></tr> <tr><td><input type="checkbox"/></td><td style="text-align: center;">-</td></tr> </table>	<input type="checkbox"/>	-	<input type="checkbox"/>	-	<input type="checkbox"/>	-	<input type="checkbox"/>	-	<input type="checkbox"/>	-	<input type="checkbox"/>	-	<table style="width: 100%; border-collapse: collapse;"> <tr><td><input type="checkbox"/></td><td style="width: 20px; text-align: center;">-</td></tr> <tr><td><input type="checkbox"/></td><td style="text-align: center;">-</td></tr> <tr><td><input type="checkbox"/></td><td style="text-align: center;">-</td></tr> <tr><td><input type="checkbox"/></td><td style="text-align: center;">-</td></tr> <tr><td><input type="checkbox"/></td><td style="text-align: center;">-</td></tr> <tr><td><input type="checkbox"/></td><td style="text-align: center;">-</td></tr> </table>	<input type="checkbox"/>	-	<input type="checkbox"/>	-	<input type="checkbox"/>	-	<input type="checkbox"/>	-	<input type="checkbox"/>	-	<input type="checkbox"/>	-
<input type="checkbox"/> ⁶ Normen / Standards	-																																																				
<input type="checkbox"/> ⁷ Max. Nutzer gleichzeitig (DIN EN 795:2012)	-																																																				
<input type="checkbox"/> Max. No. of simultaneous users	-																																																				
<input type="checkbox"/> ¹¹ Modellnummer / Model number	-																																																				
<input type="checkbox"/> -	-																																																				
<input type="checkbox"/> -	-																																																				
<input type="checkbox"/> -	-																																																				
<input type="checkbox"/>	-																																																				
<input type="checkbox"/>	-																																																				
<input type="checkbox"/>	-																																																				
<input type="checkbox"/>	-																																																				
<input type="checkbox"/>	-																																																				
<input type="checkbox"/>	-																																																				
<input type="checkbox"/>	-																																																				
<input type="checkbox"/>	-																																																				
<input type="checkbox"/>	-																																																				
<input type="checkbox"/>	-																																																				
<input type="checkbox"/>	-																																																				
<input type="checkbox"/>	-																																																				
<input type="checkbox"/>	-																																																				
<input type="checkbox"/>	-																																																				
<input type="checkbox"/>	-																																																				
<input type="checkbox"/>	-																																																				
<input type="checkbox"/>	-																																																				
<input type="checkbox"/>	-																																																				
		⁸ ⁹ ¹⁰	Z-14.9-688 0158																																																		

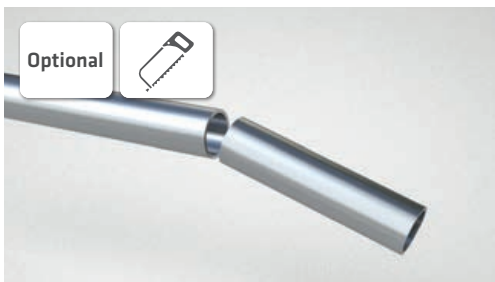
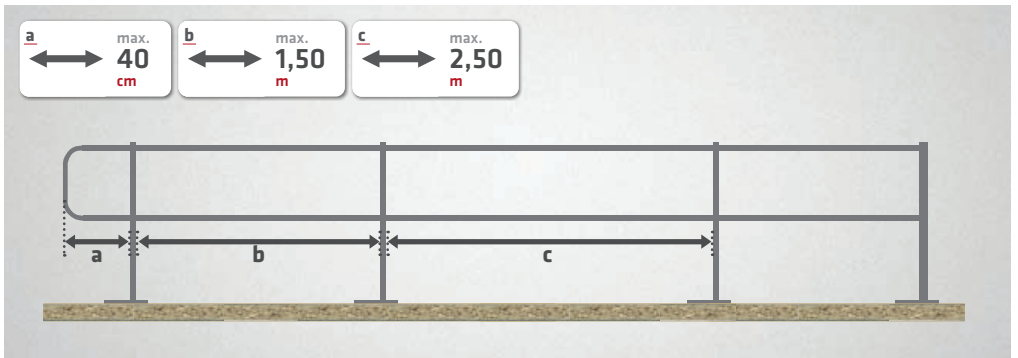
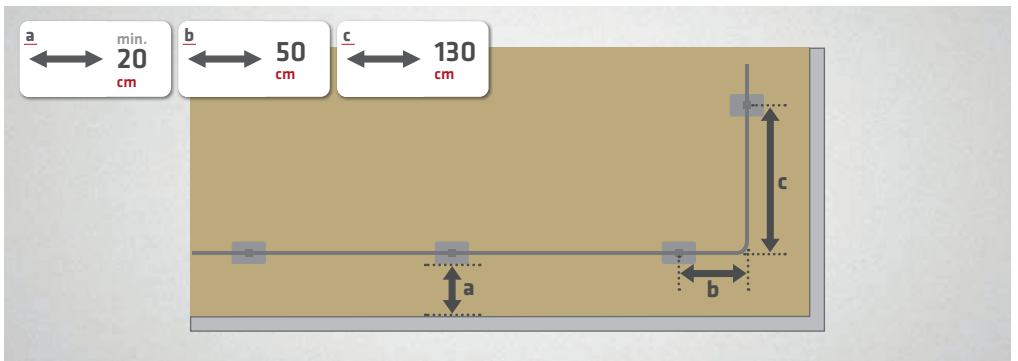
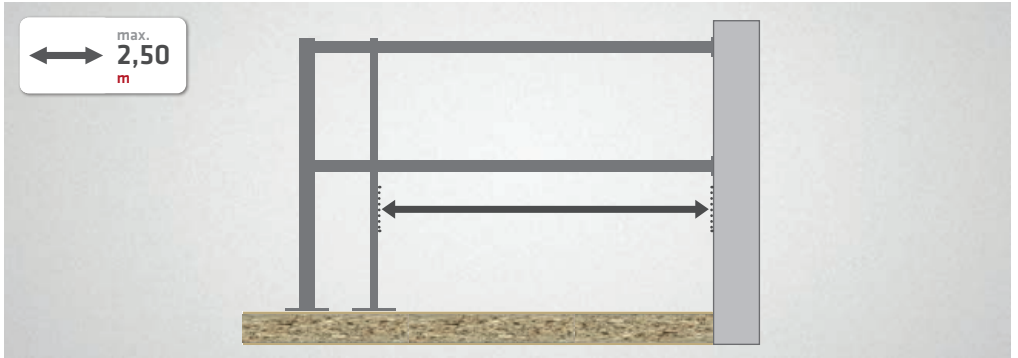
Montageschritte dokumentieren

Document assembly step



**Dokumentation
ist Pflicht!**

Documentation is compulsory!





OPTIONAL
max. 5 mm



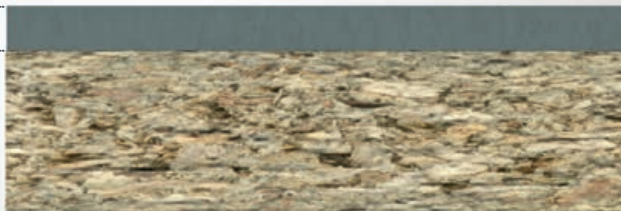
≥ 22
mm



≥ 24
mm

a

b

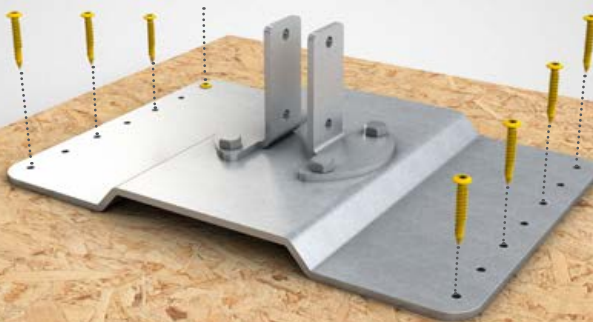




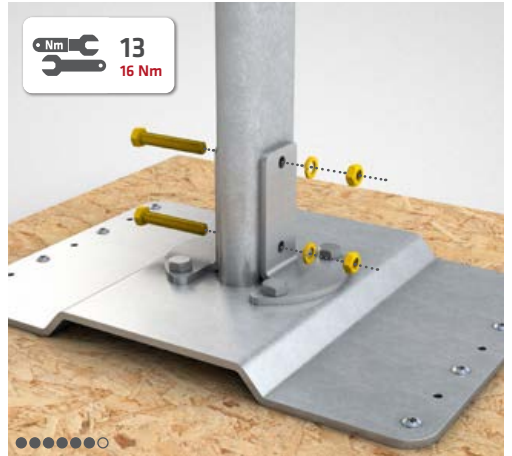
●○○○○○

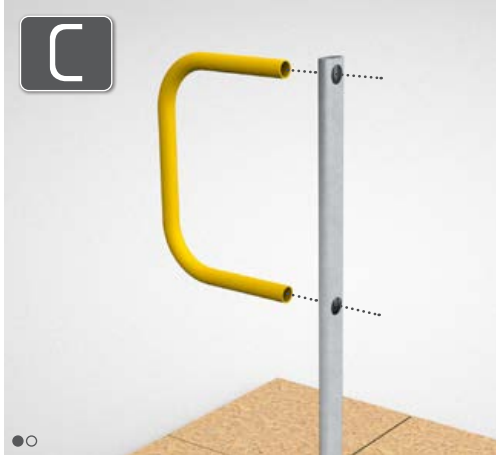


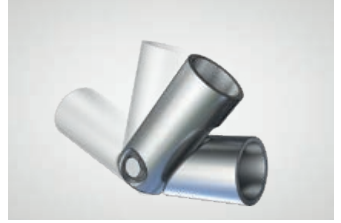
●●○○○○



●●●○○○












ALWAYS ON TOP!

ABS Safety GmbH

Gewerbering 3
D-47623 Kevelaer
Germany

Tel.: +49 28 32 972 81 - 0
Fax: +49 28 32 972 81 - 285

info@absturzsicung.de

 www.absturzsicung.de

 .de/en

 .de/fr

 .de/nl

AP 13, Dezember 2022



[instagram.com/abssafety](https://www.instagram.com/abssafety)



[youtube.com/abssafetygmbh](https://www.youtube.com/abssafetygmbh)



[facebook.com/ABS.Safety](https://www.facebook.com/ABS.Safety)