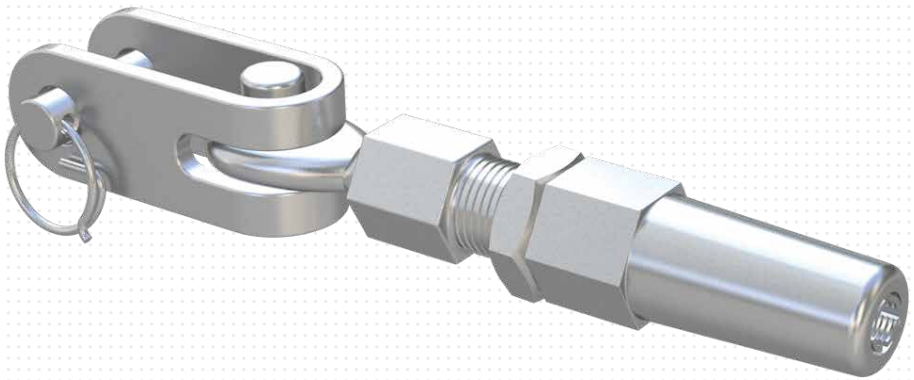


# ABS Gabelkopf (lose) / ABS clevis (loose)

SY-1008 / SY-1008A



MoA 246-03

DIN CEN / TS  
16415:2013

8



DIN EN 795:  
2012

6

## Werkzeuge | Tools



17, 19, 24



19, 24



## Sicherheitshinweise | Safety instructions



- DE** Montageanleitung beachten (1) und Sicherheitshinweise beachten (2).
- EN** Comply with the installation manual (1) and Comply with the safety instructions (2).
- FR** Respecter la notice de montage (1) and Respecter les consignes de sécurité (2).
- NL** Montagehandleiding in acht nemen (1) and Veiligheidsinstructies in acht nemen (2).
- BGR** Спазвайте инструкциите за монтаж (1) and Спазвайте инструкциите за безопасност (2).
- DK** Følg monteringsvejledningen (1) and Følg sikkerhedshenvisningerne (2).
- ET** järgige paigaldusjuhendit (1) ja ohutusjuhiseid (2).
- FI** Noudata asennusohjeita (1) and Noudata turvallisuusohjeita (2).
- IT** Rispettare le istruzioni di montaggio (1) and Rispettare le istruzioni di sicurezza (2).
- PL** Przestrzegać zaleceń instrukcji montażu (1) and Przestrzegać zasad bezpieczeństwa (2).
- SK** Dodržujte návod na montáž (1) and Dodržujte bezpečnostné pokyny (2).
- SL** Sledite navodilom za namestitve (1) and Sledite varnostnim navodilom (2).
- ES** Observar las instrucciones de montaje (1) and Observar las indicaciones de seguridad (2).
- CS** Dodržujte návod k montáži (1) and Dodržujte bezpečnostní pokyny (2).
- HU** Vegye figyelembe az összeszerelési útmutatót (1) and Vegye figyelembe a biztonsági utasításokat (2).

Für eine ordnungsgemäße Montage ist eine Dokumentation des Einbaus zwingend erforderlich!  
For a proper installation, a complete documentation of assembly is absolutely necessary.

## Kontakte | Contact persons

**Vertrieb & Technische Beratung**  
Sales & Technical Support

+49 (0) 28 32 - 972 81 - 0  
vertrieb@absturzversicherung.de

**Schulung**

Training  
+49 (0) 28 32 - 972 81 - 148  
schulung@absturzversicherung.de

**Montagevorbereitung**

Assembly  
+49 (0) 28 32 - 972 81 - 260  
service@absturzversicherung.de

## Mustertypenschild | Sample label

	<b>ABS SAFETY GMBH</b> Kevelaer, Germany info@absturzversicherung.de www.absturzversicherung.de																																		
<b>Typ / Produktbezeichnung</b> Typ / Produktbezeichnung		<b>Chargennummer /</b> Batch number																																	
<table style="width: 100%; border-collapse: collapse;"> <tr> <td style="width: 20px; border: 1px solid black; text-align: center;"><b>6</b></td> <td style="border: 1px solid black;">Normen / Standards</td> <td style="width: 20px; border: 1px solid black; text-align: center;"><input type="checkbox"/></td> <td style="width: 20px; border: 1px solid black; text-align: center;">-</td> </tr> <tr> <td style="border: 1px solid black; text-align: center;"><b>7</b></td> <td style="border: 1px solid black;">Max. Nutzer gleichzeitig Max. No. of simultaneous users</td> <td style="border: 1px solid black; text-align: center;"><input type="checkbox"/></td> <td style="border: 1px solid black; text-align: center;">-</td> </tr> <tr> <td style="border: 1px solid black; text-align: center;"><b>11</b></td> <td style="border: 1px solid black;">Modellnummer / Model number</td> <td style="border: 1px solid black; text-align: center;"><input type="checkbox"/></td> <td style="border: 1px solid black; text-align: center;">-</td> </tr> <tr> <td style="border: 1px solid black; text-align: center;"><b>14</b></td> <td style="border: 1px solid black;">150 kg</td> <td style="border: 1px solid black; text-align: center;"><input type="checkbox"/></td> <td style="border: 1px solid black; text-align: center;">-</td> </tr> <tr> <td style="border: 1px solid black; text-align: center;"><input type="checkbox"/></td> <td style="border: 1px solid black;">-</td> <td style="border: 1px solid black; text-align: center;"><input type="checkbox"/></td> <td style="border: 1px solid black; text-align: center;">-</td> </tr> <tr> <td style="border: 1px solid black; text-align: center;"><input type="checkbox"/></td> <td style="border: 1px solid black;">-</td> <td style="border: 1px solid black; text-align: center;"><input type="checkbox"/></td> <td style="border: 1px solid black; text-align: center;">-</td> </tr> </table>	<b>6</b>	Normen / Standards	<input type="checkbox"/>	-	<b>7</b>	Max. Nutzer gleichzeitig Max. No. of simultaneous users	<input type="checkbox"/>	-	<b>11</b>	Modellnummer / Model number	<input type="checkbox"/>	-	<b>14</b>	150 kg	<input type="checkbox"/>	-	<input type="checkbox"/>	-	<input type="checkbox"/>	-	<input type="checkbox"/>	-	<input type="checkbox"/>	-	<table style="width: 100%; border-collapse: collapse;"> <tr> <td style="width: 20px; border: 1px solid black; text-align: center;"><b>8</b></td> <td style="width: 20px; border: 1px solid black; text-align: center;"><b>9</b></td> <td style="width: 20px; border: 1px solid black; text-align: center;"><b>10</b></td> </tr> <tr> <td style="border: 1px solid black; text-align: center;"></td> <td style="border: 1px solid black; text-align: center;"></td> <td style="border: 1px solid black; text-align: center;"></td> </tr> <tr> <td style="border: 1px solid black; text-align: center;">0158</td> <td style="border: 1px solid black; text-align: center;">Z-14.9-668</td> <td style="border: 1px solid black; text-align: center;">DEKRA Deutsch</td> </tr> </table>	<b>8</b>	<b>9</b>	<b>10</b>				0158	Z-14.9-668	DEKRA Deutsch	
<b>6</b>	Normen / Standards	<input type="checkbox"/>	-																																
<b>7</b>	Max. Nutzer gleichzeitig Max. No. of simultaneous users	<input type="checkbox"/>	-																																
<b>11</b>	Modellnummer / Model number	<input type="checkbox"/>	-																																
<b>14</b>	150 kg	<input type="checkbox"/>	-																																
<input type="checkbox"/>	-	<input type="checkbox"/>	-																																
<input type="checkbox"/>	-	<input type="checkbox"/>	-																																
<b>8</b>	<b>9</b>	<b>10</b>																																	
0158	Z-14.9-668	DEKRA Deutsch																																	

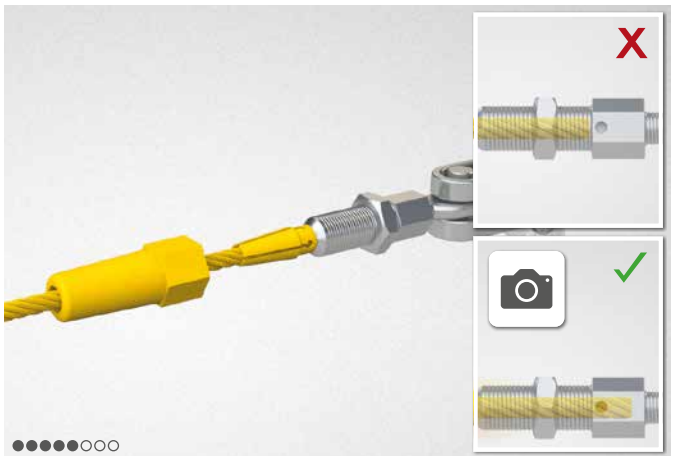
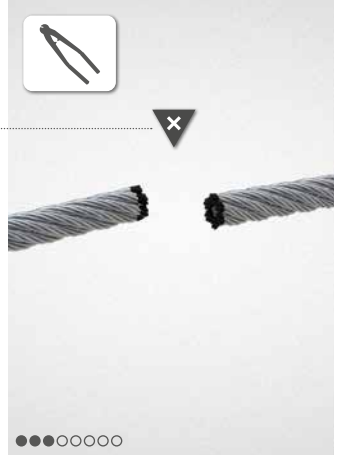
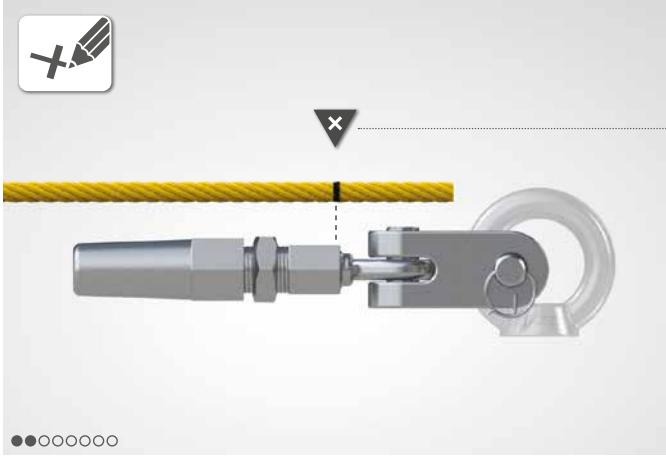
# Montageschritte dokumentieren

Document assembly step



Dokumentation mit Bildern vervollständigen!  
Complete your documentation using pictures!

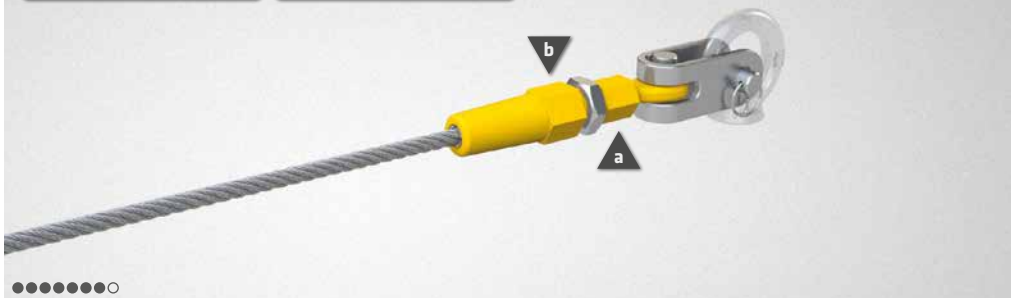
**Dokumentation  
ist Pflicht!**  
Documentation is compulsory!





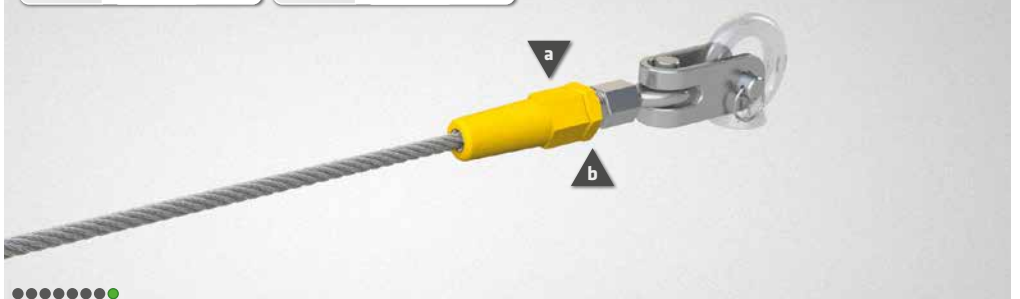
<b>SYS I+II</b> 8 mm	a	19
	b	24 60 Nm

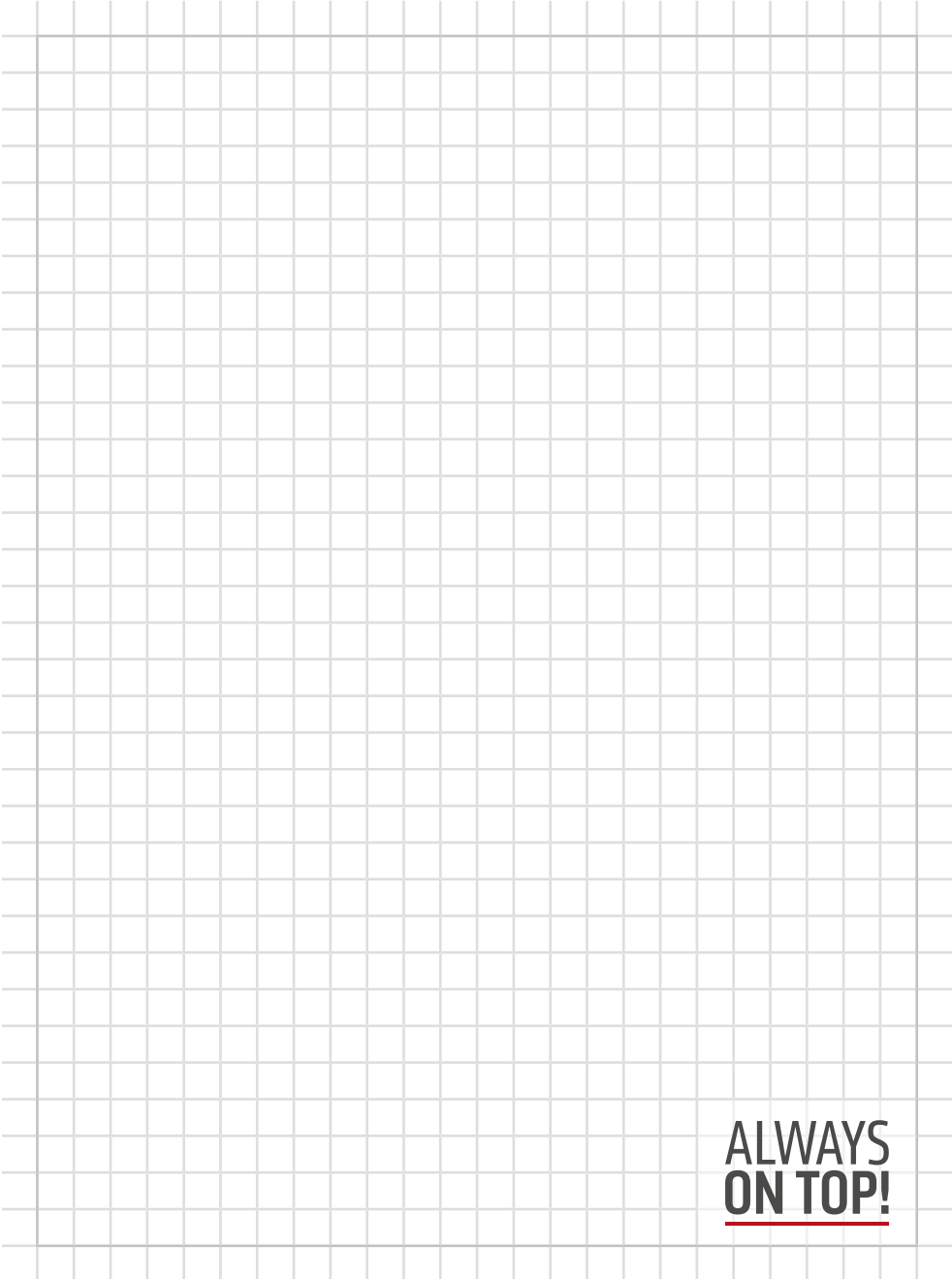
<b>SYS III+IV</b> 6 mm	a	17
	b	19 60 Nm



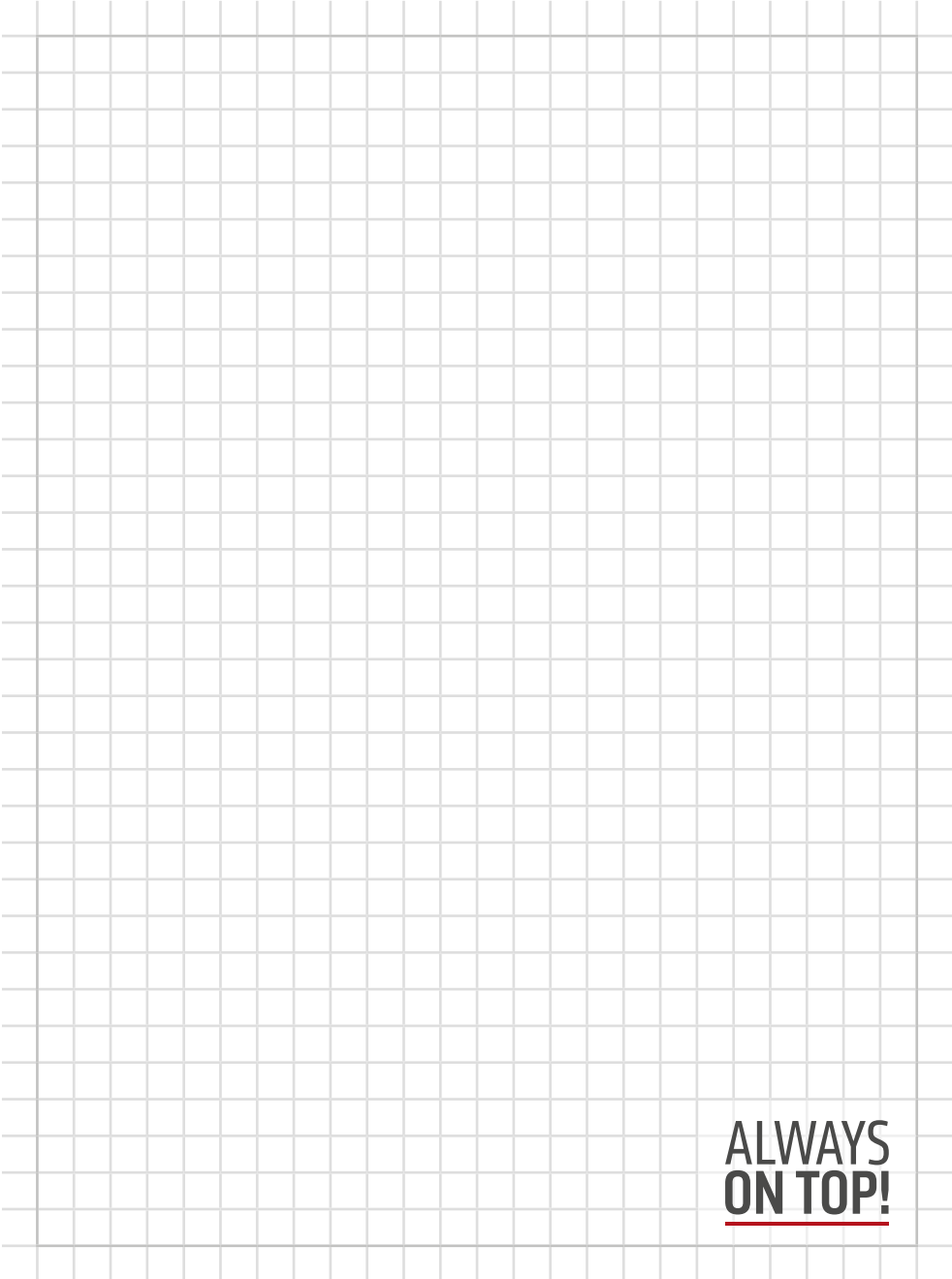
<b>SYS I+II</b> 8 mm	a	24
	b	24 40 Nm

<b>SYS III+IV</b> 6 mm	a	19
	b	19 40 Nm





**ALWAYS  
ON TOP!**



**ALWAYS  
ON TOP!**

# ALWAYS ON TOP!

## ABS Safety GmbH

Gewerbering 3  
D-47623 Kevelaer  
Germany

Tel.: +49 28 32 972 81 - 0  
Fax: +49 28 32 972 81 - 285

info@absturzschutz.de

 [www.absturzschutz.de](http://www.absturzschutz.de)

 [.de/en](http://.de/en)

 [.de/fr](http://.de/fr)

 [.de/nl](http://.de/nl)



[instagram.com/abssafety](https://www.instagram.com/abssafety)



[youtube.com/abssafetygmbh](https://www.youtube.com/abssafetygmbh)



[facebook.com/ABS.Safety](https://www.facebook.com/ABS.Safety)



[linkedin.com/company/abs-safety-gmbh](https://www.linkedin.com/company/abs-safety-gmbh)



[xing.com/pages/abssafetygmbh](https://www.xing.com/pages/abssafetygmbh)