

[ABS]

ABS-Lock[®] Loop

L-LOOP



MoA 117-11



DIN CEN/TS
16415:2017

DIN EN 795:
2012, A



Montageschritte dokumentieren

Document assembly step



Dokumentation mit Bildern vervollständigen!
Complete your documentation using pictures!

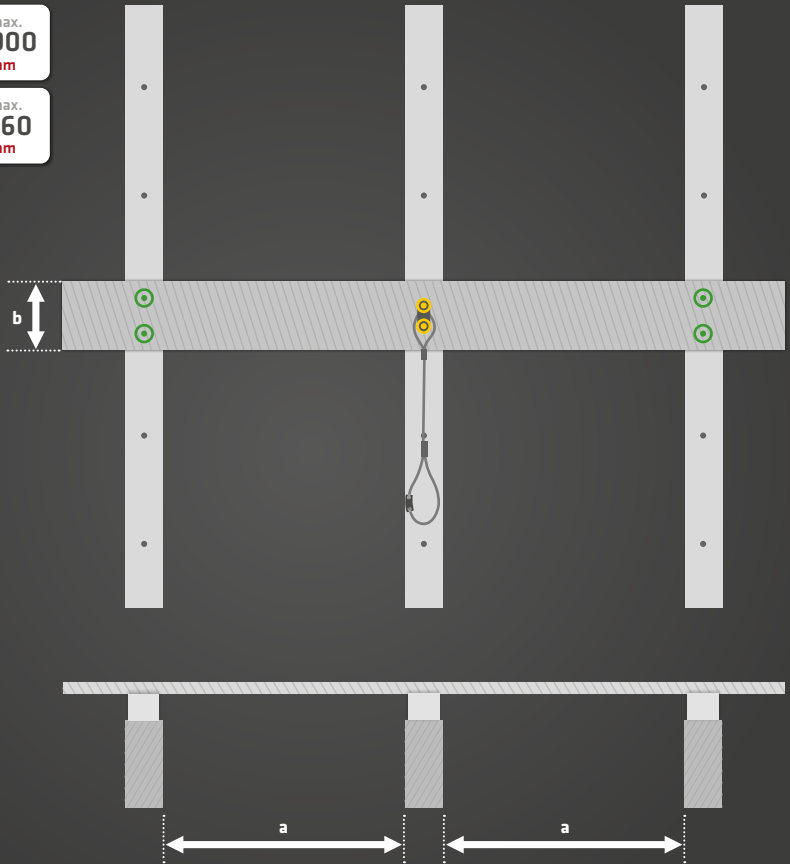
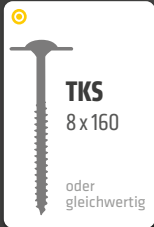
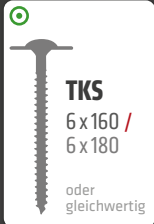
**Dokumentation
ist Pflicht!**

Documentation is compulsory!



a min. 400 max. 900
mm mm

b min. 100 max. 160
mm mm



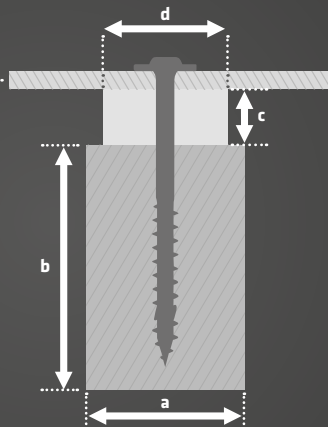
24
mm

a min. 60
mm

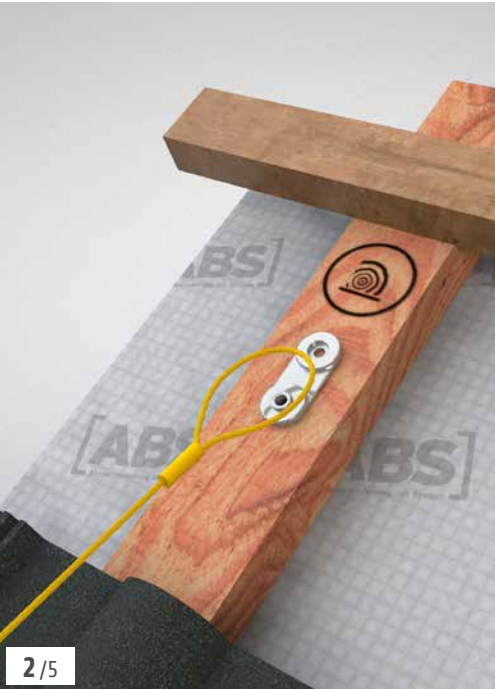
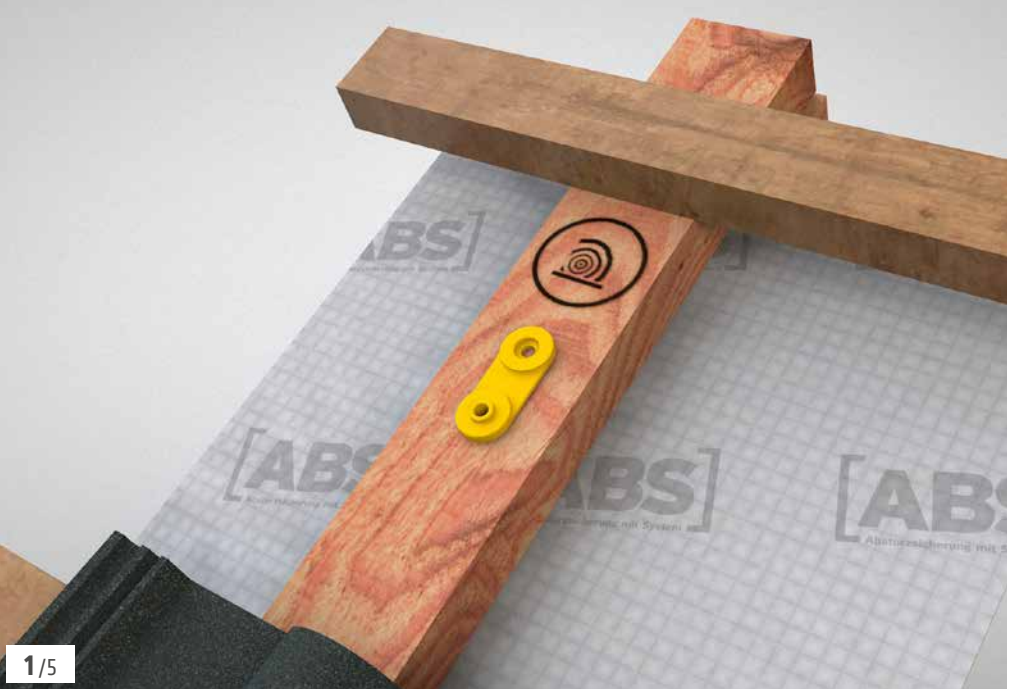
b min. 120
mm

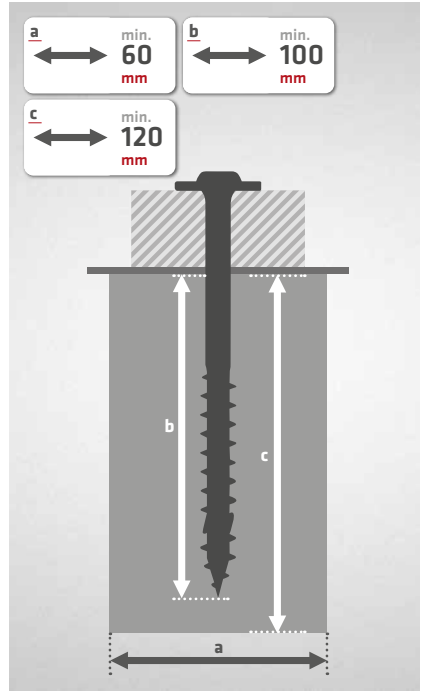
c 40 / 24
mm

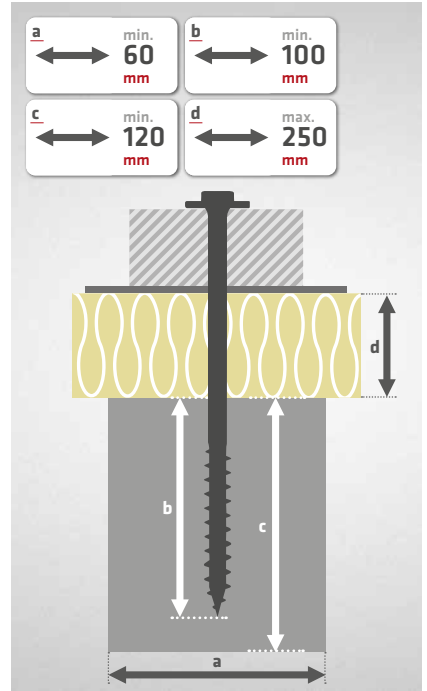
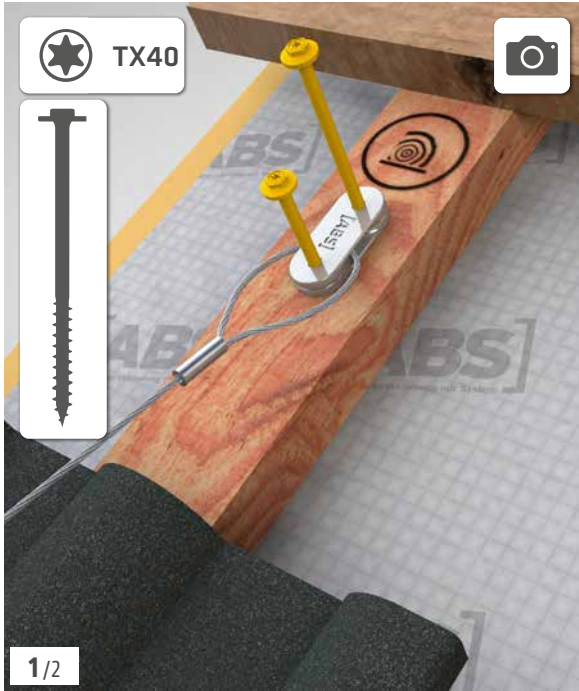
d 60 / 48
mm

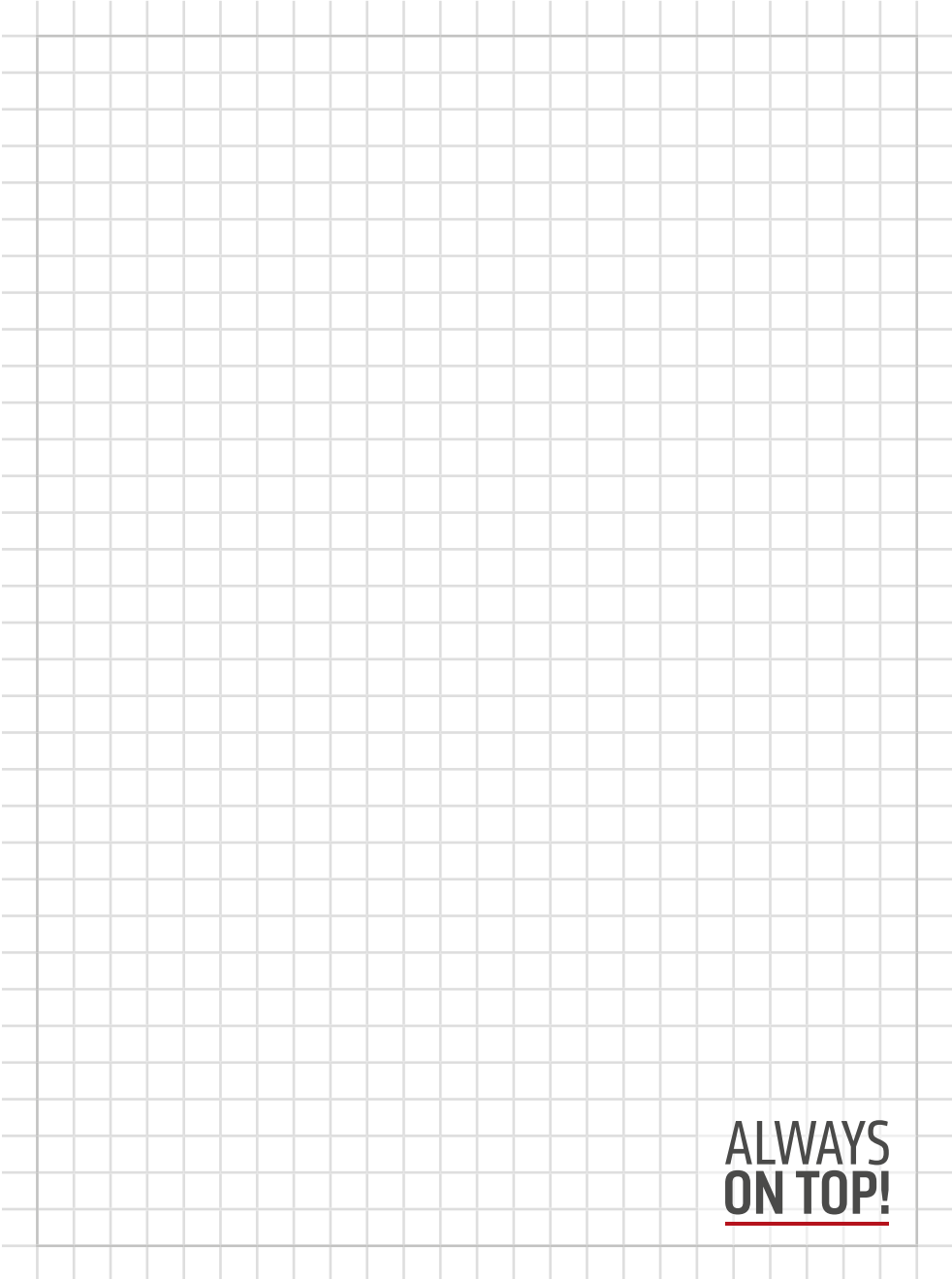




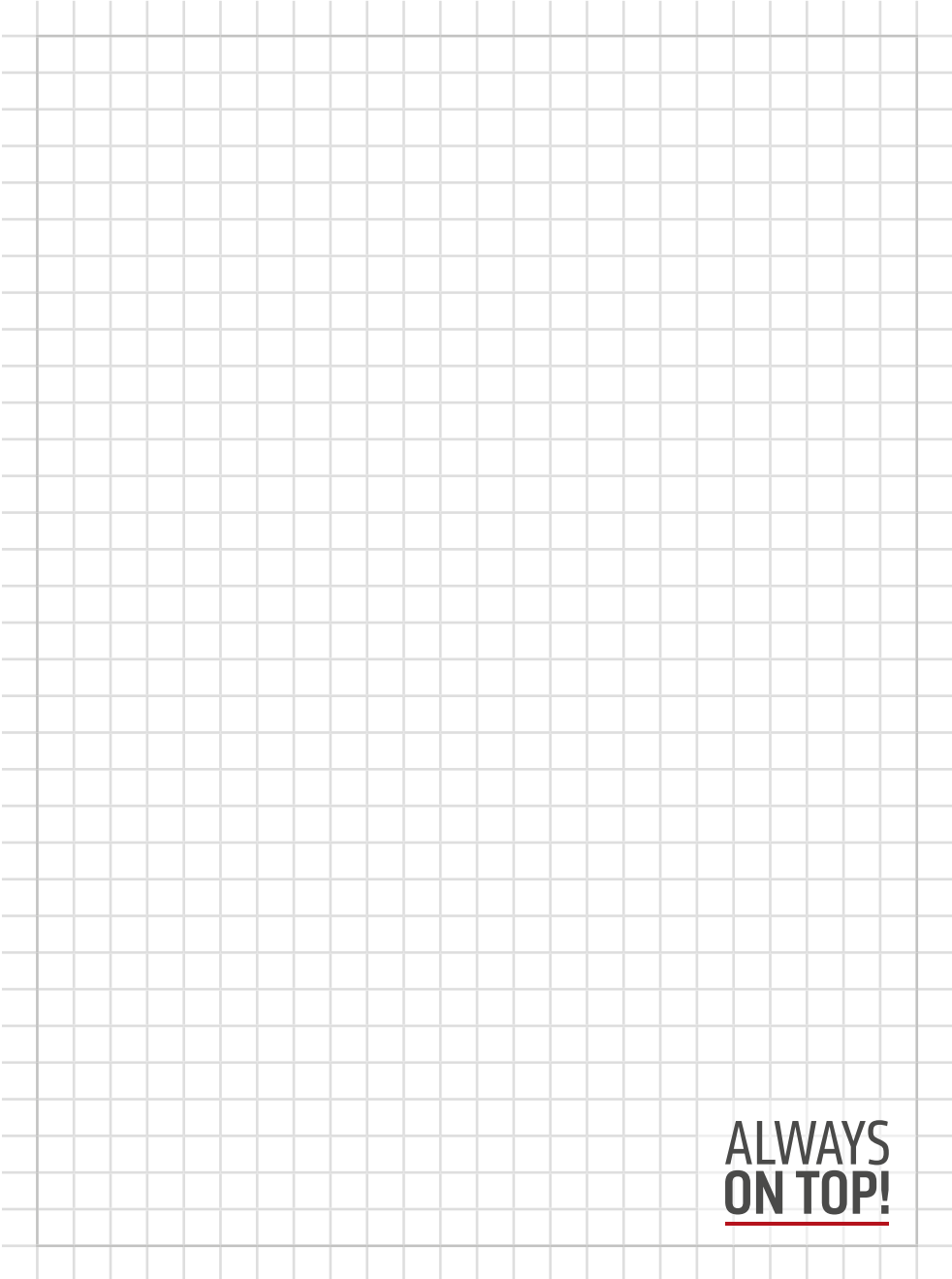




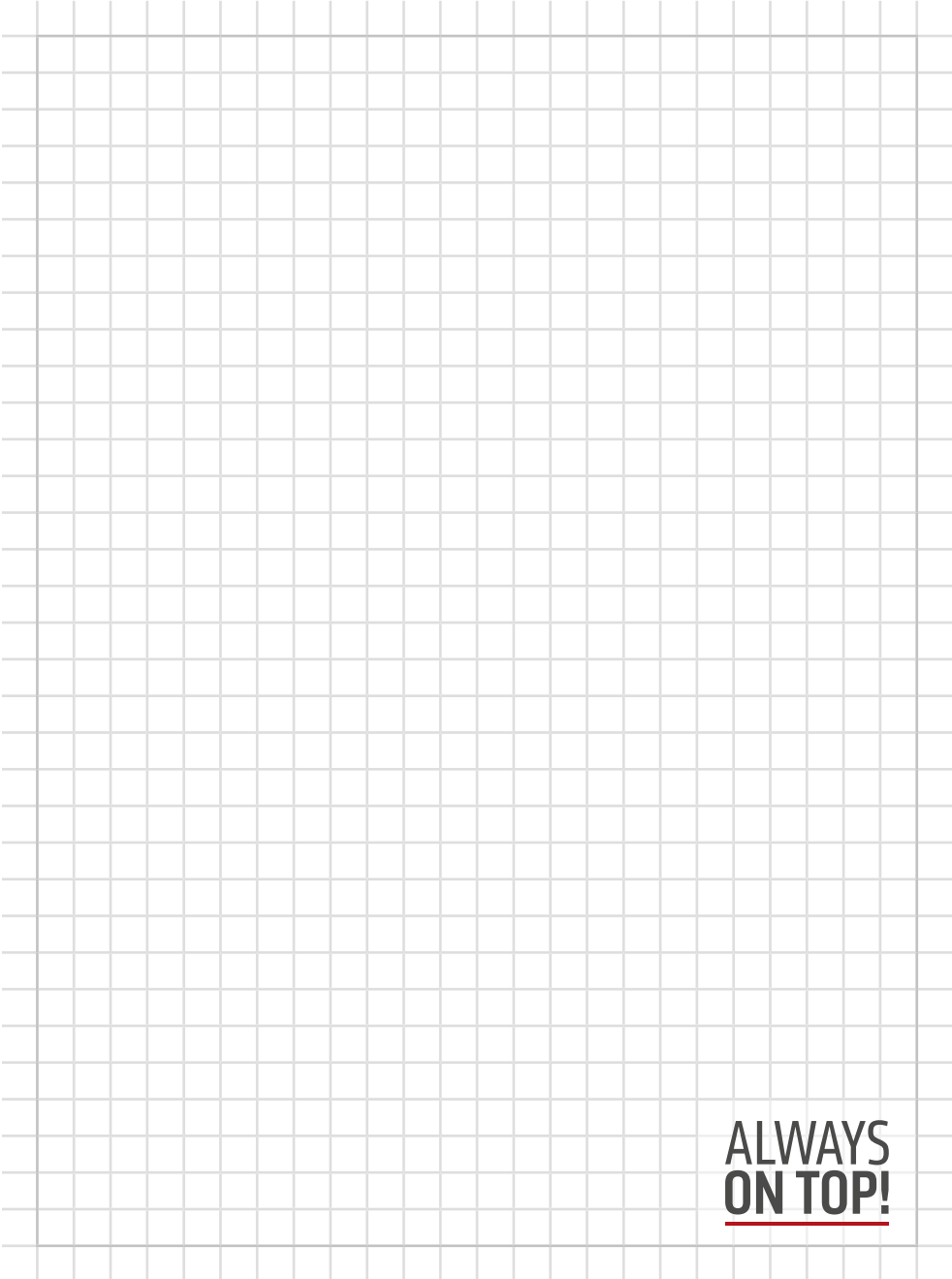




**ALWAYS
ON TOP!**



**ALWAYS
ON TOP!**



**ALWAYS
ON TOP!**


ALWAYS ON TOP!

ABS Safety GmbH

Gewerbering 3
D-47623 Kevelaer
Germany

Tel.: +49 28 32 972 81 - 0
Fax: +49 28 32 972 81 - 285

info@absturzschutz.de

 www.absturzschutz.de

 .de/en

 .de/fr

 .de/nl



[instagram.com/abssafety](https://www.instagram.com/abssafety)



[youtube.com/abssafetygmbh](https://www.youtube.com/abssafetygmbh)



[facebook.com/ABS.Safety](https://www.facebook.com/ABS.Safety)



[linkedin.com/company/abs-safety-gmbh](https://www.linkedin.com/company/abs-safety-gmbh)



[xing.com/pages/abssafetygmbh](https://www.xing.com/pages/abssafetygmbh)